



# **NATIONAL MEASURES®**

Billing : PO Box 1149

Physical : 7920 West 215<sup>th</sup> Street

Lakeville, Minnesota 55044

Phone # (952)469-4977

Toll Free 1-800-328-4577

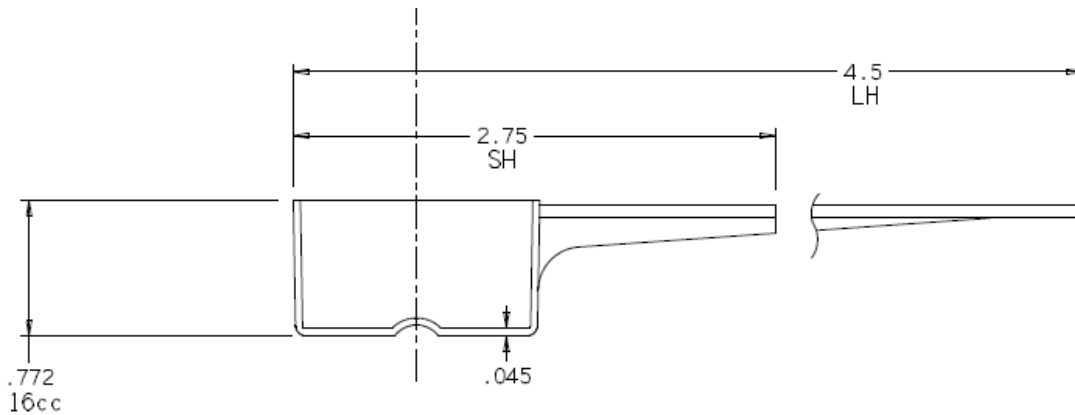
Email: [orders@airliteplastics.com](mailto:orders@airliteplastics.com)

## **Scoop Specification**

### **For 16 cc Scoop**

This material is FDA compliant and is free of heavy metals, CFCs and BPA. This product does NOT contain chemical substances proposed to be Very High Concern above .1% threshold. This product complies with EU food contact legislation including EU No10/2011 as amended, when used in food packaging applications.

*NOTE: Measurements shown on specification drawings are correct as shown below, +/-5% tolerance on all measurements. Images on this page are not to scale.*



[www.nationalmeasures.com](http://www.nationalmeasures.com)