

# SCOOPS

14.79cc • 14.79cc • 15cc

# NATIONAL MEASURES®

...the Measures of Success®  
Brand

7920 W. 215th Street • Lakeville, MN 55044  
952-469-4977 • Fax: 952-469-2051

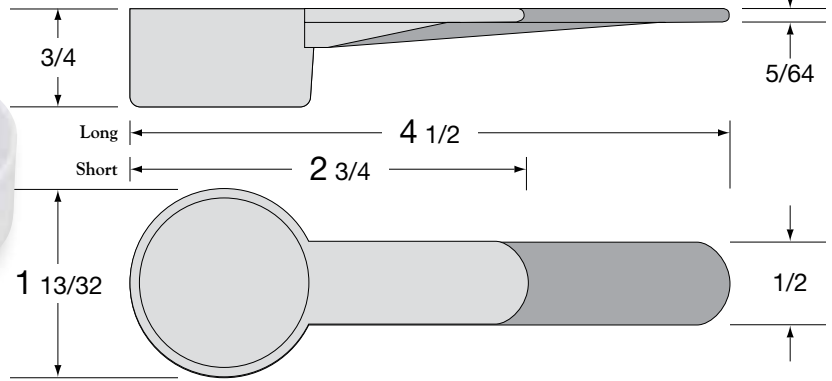
## Capacity 14.79cc

Volume (cu. ft.) 3.70  
Material Polypropylene  
Colors Standard:  
custom available

NOTE: Measurements shown on specification drawings are correct as shown. The drawings have been reduced because of space limitations.

### 2-Handles Short Long - -

PRODUCT ID	14.79SH	14.79LH	-	-
CARTON QNTY.	2500 pcs	2000 pcs	-	-
CARTON DIM.	20x16x20	20x16x20	-	-
CARTONS/PALLET	24	24	-	-
SHIPPING WT.	23 lbs.	24 lbs.	-	-



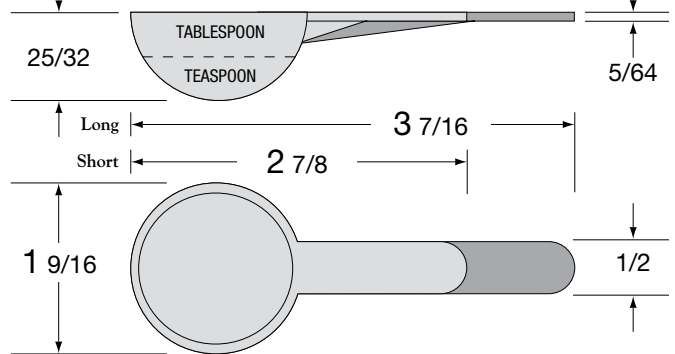
## Capacity 14.79cc (Bowl) tablespoon/teaspoon

Volume (cu. ft.) 3.70  
Material Polypropylene  
Colors Standard:  
custom available

NOTE: Measurements shown on specification drawings are correct as shown. The drawings have been reduced because of space limitations.

### 2-Handles Short Long - -

PRODUCT ID	14.79BSH	14.79BLH	-	-
CARTON QNTY.	3500 pcs	3500 pcs	-	-
CARTON DIM.	20x16x20	20x16x20	-	-
CARTONS/PALLET	24	24	-	-
SHIPPING WT.	25 lbs.	23 lbs.	-	-



## Capacity 15cc (Bowl) w/without hole

Volume (cu. ft.) 3.70  
Material Polypropylene  
Colors Standard:  
custom available

### 4-Handles Short Medium Long Extra Long

PRODUCT ID WITH HOLE	15BSH-H	15BMH-H	15BLH-H	15BXLH-H
PRODUCT ID WITHOUT HOLE	15BSH	15BMH	15BLH	15BXLH
CARTON QNTY.	2500 pcs	2200 pcs	1800 pcs	1400 pcs
CARTON DIM.	20x16x20	20x16x20	20x16x20	20x16x20
CARTONS/PALLET	24	24	24	24
SHIPPING WT.	25 lbs.	25 lbs.	23 lbs.	20 lbs.



NOTE: Measurements shown on specification drawings are correct as shown. The drawings have been reduced because of space limitations.

