

SCOOPS

1.25cc • 1.5cc • 1.7cc

NATIONAL MEASURES®

...the Measures of Success®
Brand

7920 W. 215th Street • Lakeville, MN 55044
952-469-4977 • Fax: 952-469-2051

Capacity 1.25cc

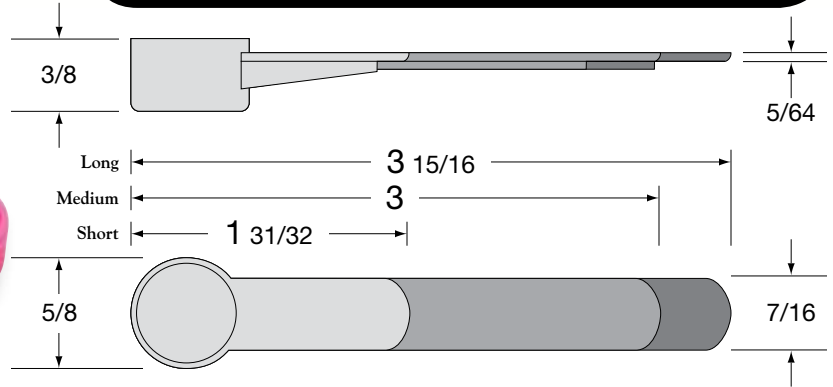
Volume (cu. ft.) 1.20
Material Polypropylene
Colors Standard;
custom available

NOTE: Measurements shown on specification drawings are correct as shown. The drawings have been reduced because of space limitations.



3-Handles

	Short	Medium	Long	-
PRODUCT ID	1.25SH	1.25MH	1.25LH	-
CARTON QNTY.	5500 pcs	2700 pcs	2500 pcs	-
CARTON DIM.	13¼x12x13	13¼x12x13	13¼x12x13	-
CARTONS/PALLET	36	36	36	-
SHIPPING WT.	16 lbs.	15 lbs.	15 lbs.	-



Capacity 1.5cc

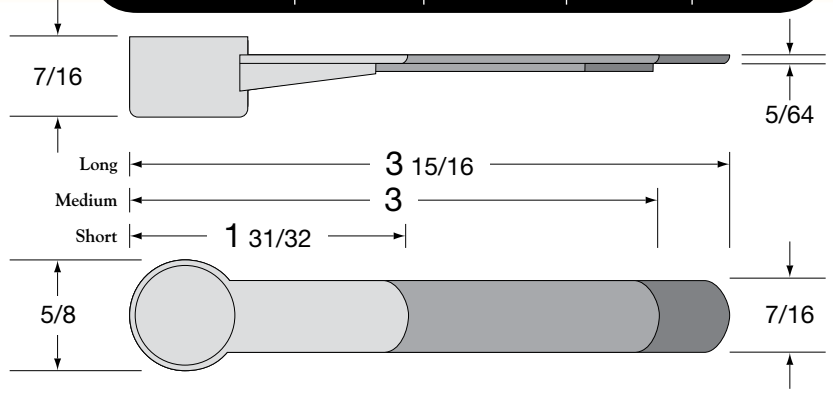
Volume (cu. ft.) 1.20
Material Polypropylene
Colors Standard;
custom available

NOTE: Measurements shown on specification drawings are correct as shown. The drawings have been reduced because of space limitations.



3-Handles

	Short	Medium	Long	-
PRODUCT ID	1.5SH	1.5MH	1.5LH	-
CARTON QNTY.	5000 pcs	3000 pcs	2200 pcs	-
CARTON DIM.	13¼x12x13	13¼x12x13	13¼x12x13	-
CARTONS/PALLET	36	36	36	-
SHIPPING WT.	16 lbs.	14.25 lbs.	14.75 lbs.	-



Capacity 1.7cc

Volume (cu. ft.) 1.20
Material Polypropylene
Colors Standard;
custom available

NOTE: Measurements shown on specification drawings are correct as shown. The drawings have been reduced because of space limitations.



3-Handles

	Short	Medium	Long	-
PRODUCT ID	1.7SH	1.7MH	1.7LH	-
CARTON QNTY.	4500 pcs	3000 pcs	2200 pcs	-
CARTON DIM.	13¼x12x13	13¼x12x13	13¼x12x13	-
CARTONS/PALLET	36	36	36	-
SHIPPING WT.	16 lbs.	14 lbs.	14 lbs.	-

